

Base PMB

User manual



BE DIFFERENT
LEAD WITH IT

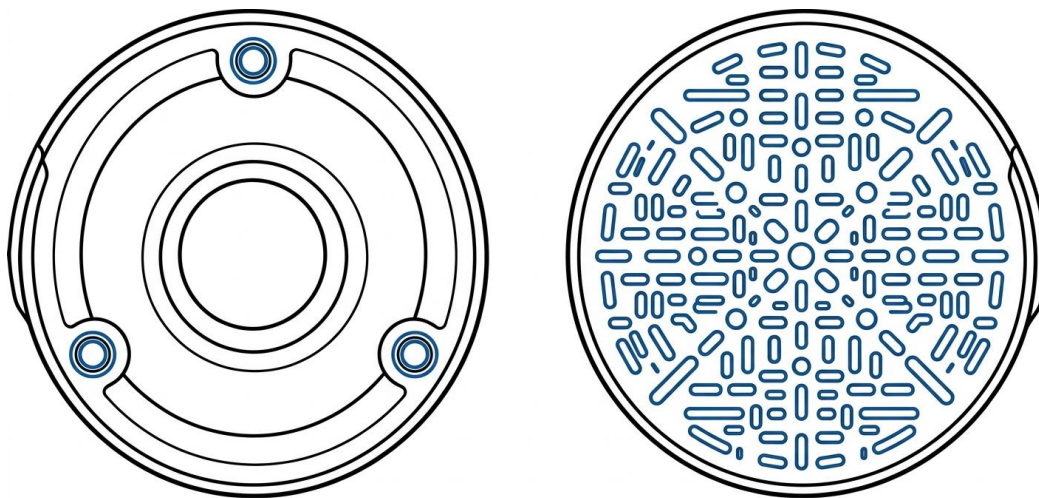
Content

1. Identify Your Base Type	3
2. Installation Recommendations.....	3
3. General Mounting Steps (Surface Mount)	4
Contacts:	5

1. Identify your base type

Before installation, turn the base over and inspect the Mounting Map (the rear side):

- Fixed Pattern: If you see 3 or 4 specific threaded holes, the base is designed for a specific camera diameter.
- Universal Pattern: If you see a "grid" or "mesh" with many various holes and slots, it is a Universal Base designed to fit multiple camera models and brands.



Fixed Pattern (3-4 Holes)

Universal Pattern (Grid)

Fig.1. Base type

2. Installation Recommendations

Option A: Fixed Mounting

Best for: Quick, high-precision installation with matching Partizan cameras.

1. Alignment: Match the mounting holes of the camera bracket directly with the pre-drilled threaded holes on the base.
2. Fastening: Use the machine screws provided with the base. Since these bases feature aluminum-reinforced threads, do not over-tighten; a firm fit is sufficient.
3. Cable Management: Ensure the camera's cable "pigtail" is tucked into the hollow center of the base before final tightening.

Option B: Universal Mounting (Grid/Mesh Pattern)

Best for: Non-standard cameras or third-party hardware.

1. Mapping: Place the camera bracket against the universal grid. Rotate the camera until at least 3 mounting holes align with the slots in the base.
2. Hardware Choice: Since universal bases support various sizes, ensure you use the correct screw diameter and washers if necessary to ensure a flush fit against the grid.
3. Stability Check: Verify that the camera is centered on the base to maintain the IP-rating (weatherproofing) of the junction.

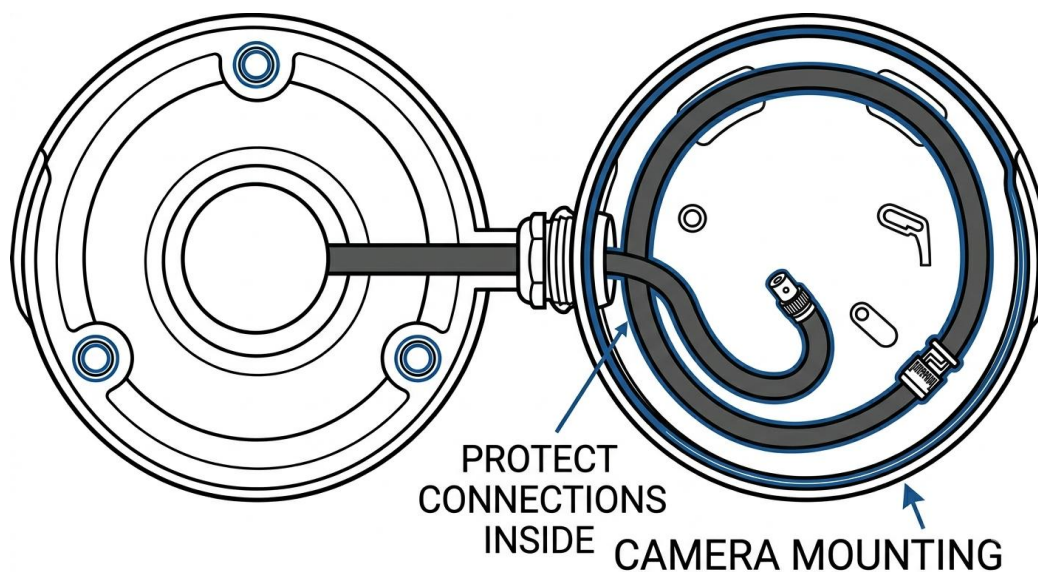


Fig.2. The junction

3. General Mounting Steps (Surface Mount)

Installation Note: Material Handling

- For Plastic/Hybrid Bases: Use hand tools for the final tightening to avoid cracking the housing. Ensure the mounting surface is flat to prevent tension on the plastic body.
- For Metal Brackets: Ensure all bolts are tightened firmly to prevent vibration. Always check that the waterproof gaskets are properly aligned between metal surfaces to prevent moisture ingress.

Step 1: Surface Preparation

Mark the drill holes on the wall/ceiling using the base as a template.

If mounting on a pole or corner, first attach the PMB-Pole or PMB-Corner adapter to the surface, then bolt the PMB base to the adapter.

Step 2: Wiring and Sealing

Thread the main cable through the waterproof cable gland (grommet).

Connect the camera cables inside the base.

Pro Tip: Use the internal space to loop excess cable; this prevents tension on the connectors.

Step 3: Final Assembly

Attach the base to the surface/bracket.

Attach the camera to the base.

Ensure all rubber seals are properly seated to prevent moisture ingress.

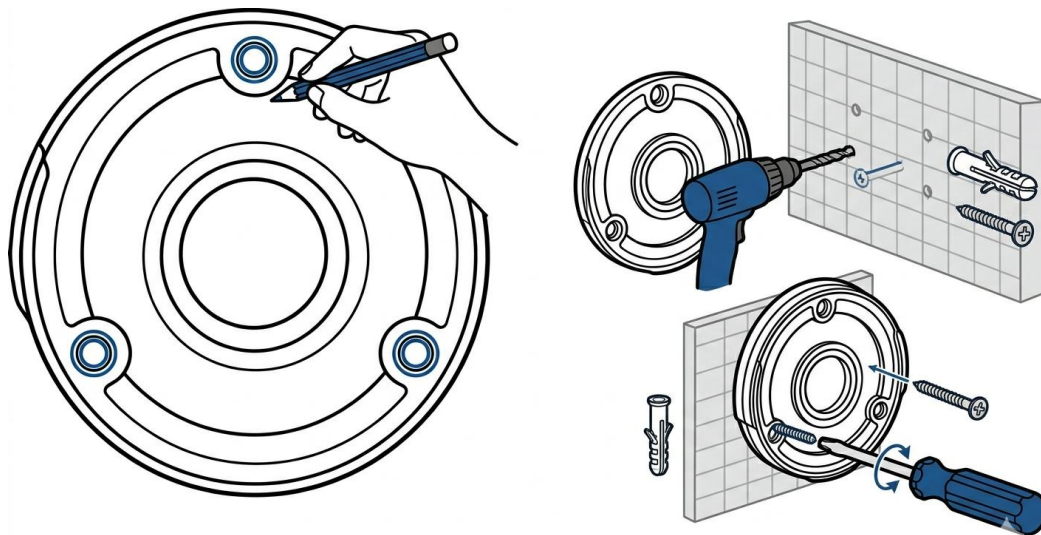


Fig.3. Assembly

Contacts:

Whatsapp: +420 777 054 888

Email: support@partizan.global

Telegram: https://t.me/partizansupport_bot